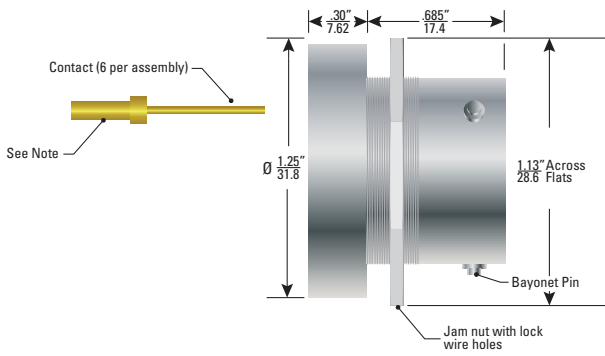


Magnum is a quality directed series of multi-pin, high voltage connectors and cable assemblies. The Magnum are mechanical assemblies built-up from pre-tested, detail components, as contrasted to a conventional, one piece, molded in-place cable assembly.

The Magnum construction allows the electrical and environment stress testing of details, such as plastic insulators and elastomeric dielectric interface seals, prior to final assembly. This results in a much higher level of quality and reliability. It is also possible, in many cases, to replace damaged receptacle seals and the individual plug leads rather than discarding an entire cable assembly.

RECEPTACLE

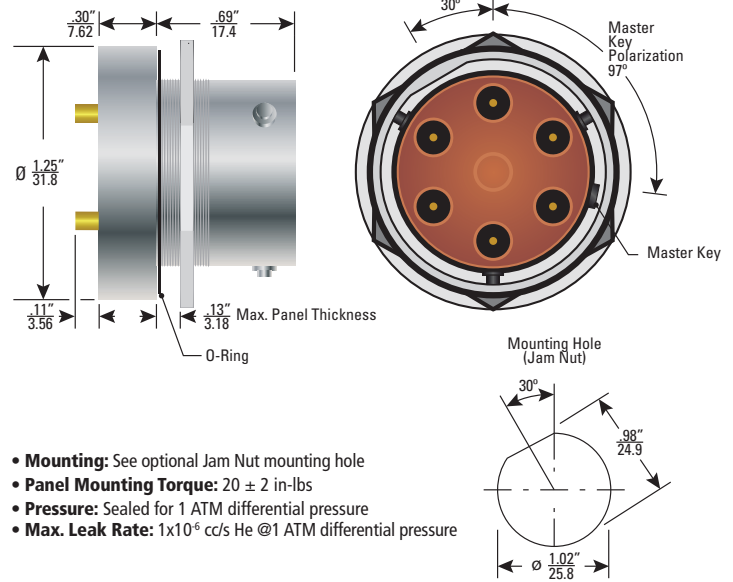
Rear, Jam Nut Mount
178-8960-1



- **Mounting:** See optional Jam Nut mounting hole
- **Panel Mounting Torque:** 20 ± 2 in-lbs
- **Note:** Contacts to be soldered to cable, inserted & bonded into insulator. Assembly instructions can be found at www.teledynereynolds.com or by contacting Teledyne Reynolds' Engineering.

Polarization (Ref.)	
178-8960-1	97° CW
178-8960-2	112° CW
178-8960-3	128° CW
178-8960-4	143° CW

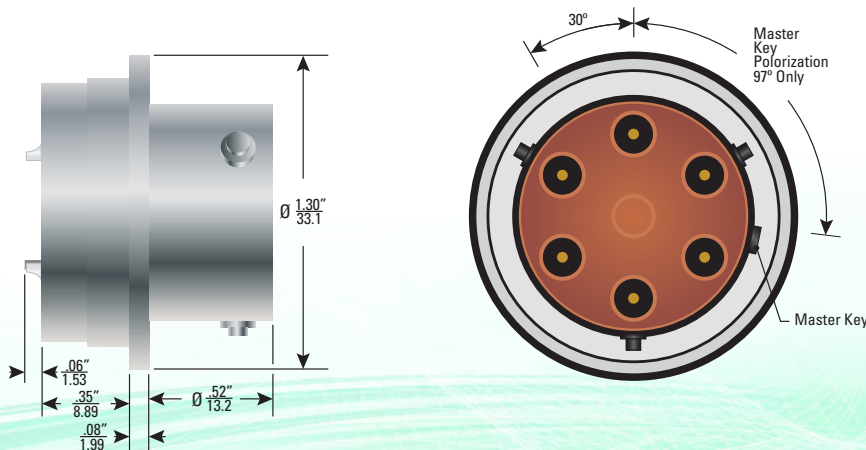
Sealed, Rear, Jam Nut Mount
178-8959-1



- **Mounting:** See optional Jam Nut mounting hole
- **Panel Mounting Torque:** 20 ± 2 in-lbs
- **Pressure:** Sealed for 1 ATM differential pressure
- **Max. Leak Rate:** 1x10⁶ cc/s He @1 ATM differential pressure

Polarization (Ref.)	
178-8959-1	97° CW
178-8959-2	112° CW
178-8959-3	128° CW
178-8959-4	143° CW

Ceramic-to-metal, Brazed, Hermetic, Front Weld Mount
467-7040



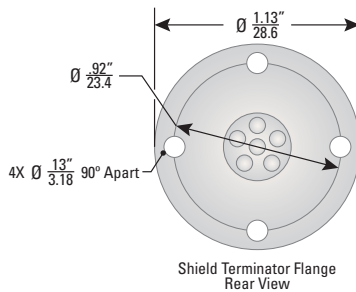
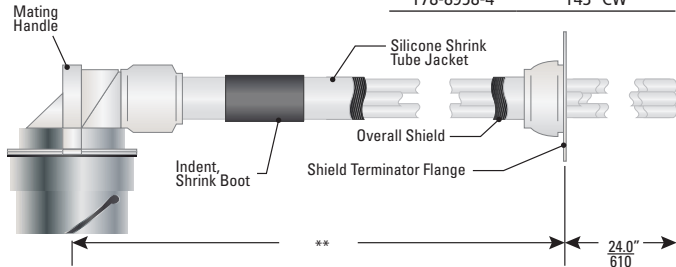
- **Mounting:** Weld
- **Pressure:** Sealed for 1 ATM differential pressure
- **Max. Leak Rate:** 1x10⁸ cc/s He @1 ATM differential pressure

PLUG CABLE ASSEMBLIES

Shielded, Single-ended, Right Angle
178-8958-1

Polarization (Ref.)

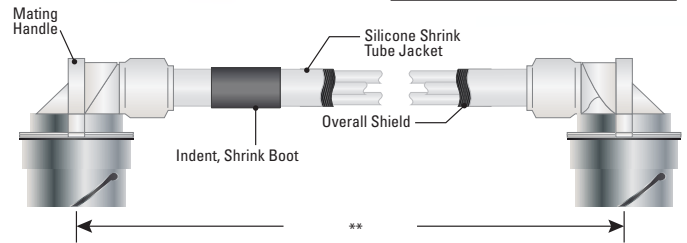
178-8958-1	97° CW
178-8958-2	112° CW
178-8958-3	128° CW
178-8958-4	143° CW



Shielded, Double-ended, Right Angle
178-9487-1

Polarization (Ref.)

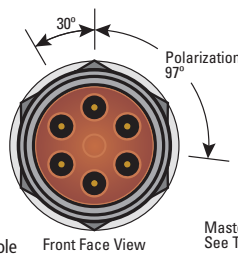
178-9487-1	97° CW
178-9487-2	112° CW
178-9487-3	128° CW
178-9487-4	143° CW



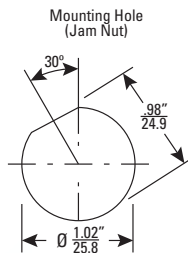
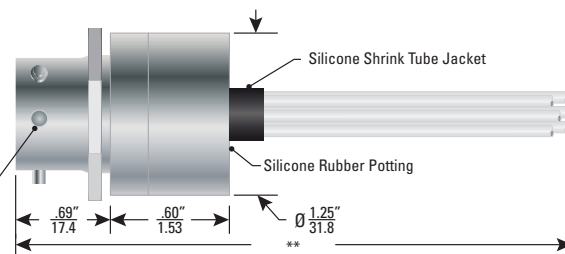
RECEPTACLE CABLE ASSEMBLIES

Rear, Jam Nut Mount

178-8970-1 Uses wire 178-8315



• **Mounting:** See optional Jam Nut mounting hole



Polarization (Ref.)

178-8970-1	97° CW
178-8970-2	112° CW
178-8970-3	128° CW
178-8970-4	143° CW

SERIES SPECIFICATIONS

(• = Same value as above)

Series	Voltage Rating (kVDC)	Altitude Rating (ft)	Operating Temp. (°C)	Current Rating (Amp)	Receptacle Insulator Material	Plug Insulator Material	Coupling Style	Coupling Nut Material/Finish	Plug Contact Material/Finish (Socket)	Recept. Contact Material/Finish (Pin)	Wire Type	Wire Insulation	Braid Termination	Test Voltage @ 70,000 ft (kVDC)	Test Voltage @ Sea Level (kVDC)
Magnum	12	70,000	-55 to 125	6	Plastic	Plastic	Bayonet	CRES / Passivate	BeCu/Au with CRES hood	Brass/Au	Shielded	Silicone Coated FEP	Yes	18	N/A

WIRE SPECIFICATIONS

Part #	Operating Voltage (kVDC)	Conductor			Insulation		Shielding			Jacket		Impedance Ω	Attenuation dB/100 ft @ 400 MHz	Capacitance pF/ft (Nom.) @ 1 kHz
		AWG	Strands	Plating	Material	σ in./mm	AWG	Plating	σ in./mm	Material	σ in./mm			
178-8315	22	20	19/32	SPC	FEP	.09 / 2.29	N/A	N/A	N/A	N/A	N/A	N/A	N/A	N/A

**Cable Assembly Ordering Information: All cable assembly cable lengths are to be specified in inches only. For example, to order part number 178-6027 with a cable length of 10 feet 8 inches the cable assembly part number would be specified as 178-6027-128N.

• **Note:** Product numbers and specs subject to change without notice. • Products listed represent only a small selection of Teledyne Reynolds' products please visit www.teledynereynolds.com for the most up to date product information. • Contact Teledyne Reynolds' Engineering to discuss custom designs. **WARNING: Connectors should NEVER be handled mated or unmated when voltage is applied.** The Magnum Series is subject to the export jurisdiction of the U.S. Department of State and may require export license or other approval from the U.S. Department of State.