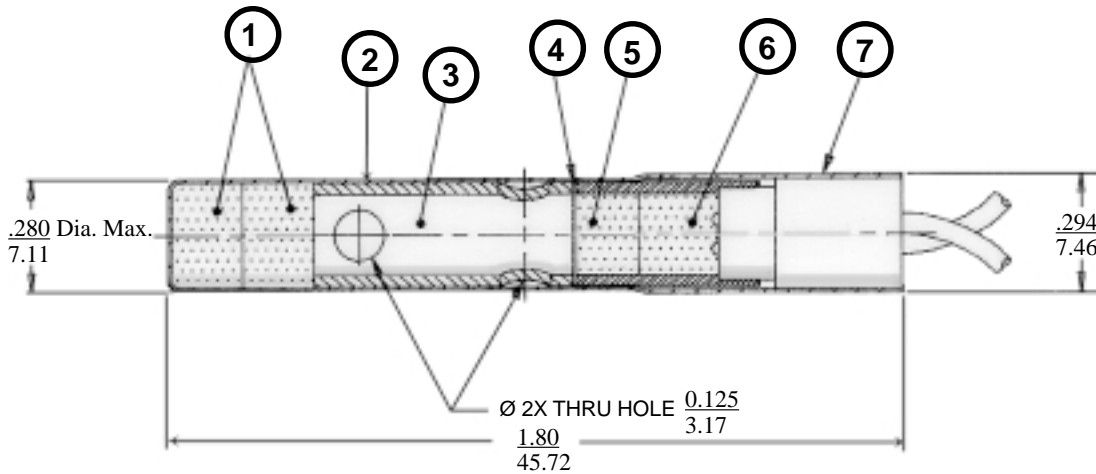


The RP-880 Fluid Desensitized, RDX, EBW Detonator is purposely designed to misfire when immersed in a fluid and fire properly when fired in air. Misfiring or firing refers to the output portion of the detonator. The RDX provides a higher operating temperature capability as compared with the RP-88 Fluid Desensitized, PETN, EBW Detonator.

RP-880

P/N 188-7354



PARTS DESCRIPTION

- | | |
|----------------------|---|
| 1. Output pellet: | 454 mg of RDX with binder |
| 2. Cup: | Aluminum, anodized gold, 0.007 inch thick |
| 3. Sleeve: | Brass |
| 4. Disc | |
| 5. Pellet: | 123 mg of RDX with binder |
| 6. Initial pressing: | 82 mg of RDX |
| 7. Bridged head | |

PERFORMANCE

- | | |
|---------------------------------|---------------------------|
| * Threshold burst current | 450 amps |
| * Threshold voltage | 800 volts (approx.) |
| * Transit time | 10.5 μ sec. (approx.) |

Note: Performance values are based on a firing circuit with the following parameters:

$$C = 1.0 \mu \text{ farad, } L = 0.65 \mu \text{ henry, } R = 0.16 \text{ ohm}$$

CAUTION: EBW detonators contain explosives and are classified as detonator class "1.4" and of course are designed to explode. They should be used in blasting operations only by or under the direction of a person experienced in the handling and use of explosives. Explosive users should bear in mind that every explosive can be detonated under certain critical conditions and all existing exploding handling, storage and usage regulations should be followed.

RISI 3420 Fostoria Way • San Ramon, California • 94583
 Tel: (925) 866-0650 • FAX: (925) 866-0564